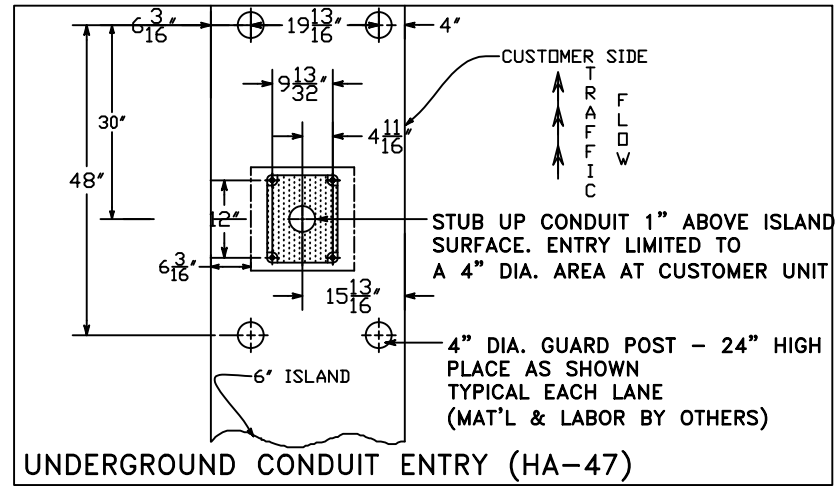


PLAN VIEW



1 DUPLEX OUTLET PER 2 LANES
120 V., 60 HZ. 20 AMP.
(BELOW COUNTER)

BUILDING ELECTRICAL
SERVICE PANEL.

DUPLEX RECEPTACLE
FOR AUDIO AND
DEAL DRAWER
120 V., 60 HZ. 20 AMP.
(BELOW COUNTER)

3/4" CONDUIT FOR 120V., 60HZ., 30 AMP. #10 WIRE
ONE SERVICE FOR EACH CUSTOMER UNIT

CUSTOMER UNITS (ON ISLAND)

3/4" CONDUIT FOR VIDED CABLE

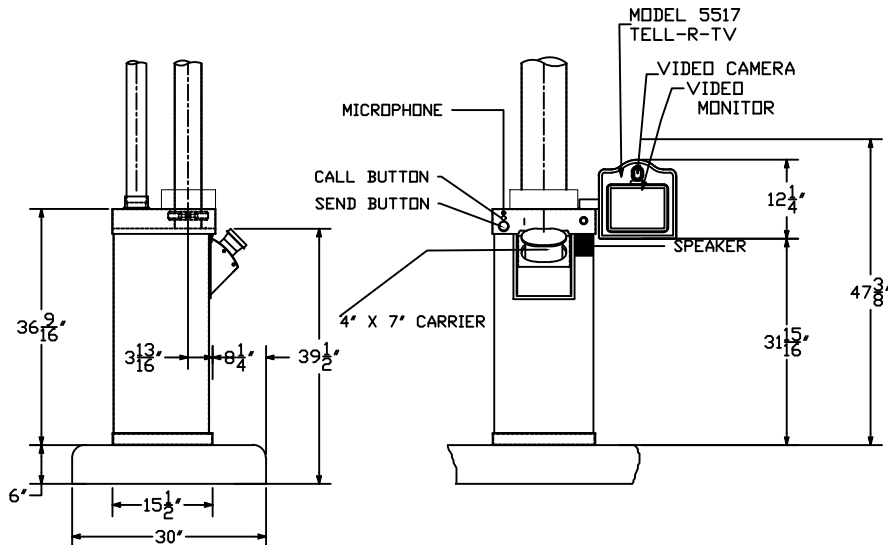
4"x4" BDX UNDER COUNTER
FOR AUDIO, VIDED, AND CONTROL ACCESS.
(UNDER WINDOW)

3/4" CONDUIT
FOR
AUDIO
AND
CONTROL

CONDUIT CONNECTIONS AT TELLER
UNIT ARE LOCATED ABOVE THE
CEILING AT EACH UNIT.

TELLER UNITS AT CEILING LEVEL

CONDUIT DETAIL
2 SYSTEMS SHOWN



LEFT SIDE ELEVATION

FRONT ELEVATION

ELECTRICAL CONTRACTOR TO PROVIDE

- ALL CONDUIT AS DETAILED
- 20 AMP SERVICE TO TELLER AREA, AS SHOWN
- 117 VAC SERVICE, 30 AMP SERVICE TO EACH CUSTOMER UNIT (20 AMP FULL LOAD)
- CONDUIT "C" IS FOR LOW VOLTAGE CONTROL CABLES INSTALLED BY TUBE SUPPLIER - ELECTRICAL CONTRACTOR TO PROVIDE PULL WIRES IN EACH CONDUIT

est. 1967 HAMILTON CUSTOM MADE SECURITY	PROPRIETARY AND CONFIDENTIAL THESE DRAWINGS ARE THE PROPERTY OF HAMILTON SAFE CO. AND SHALL NOT BE REPRODUCED, COPIED, USED AS THE BASIS FOR MANUFACTURE OR SALE OF APPARATUS WITHOUT PERMISSION		DESCRIPTION MODEL HA-47 UPSEND CUSTOMER UNIT WITH MODEL 5517 TELL-R-TV	
	DRAWING/MODEL NUMBER 99-927	DATE 10/08/2021		